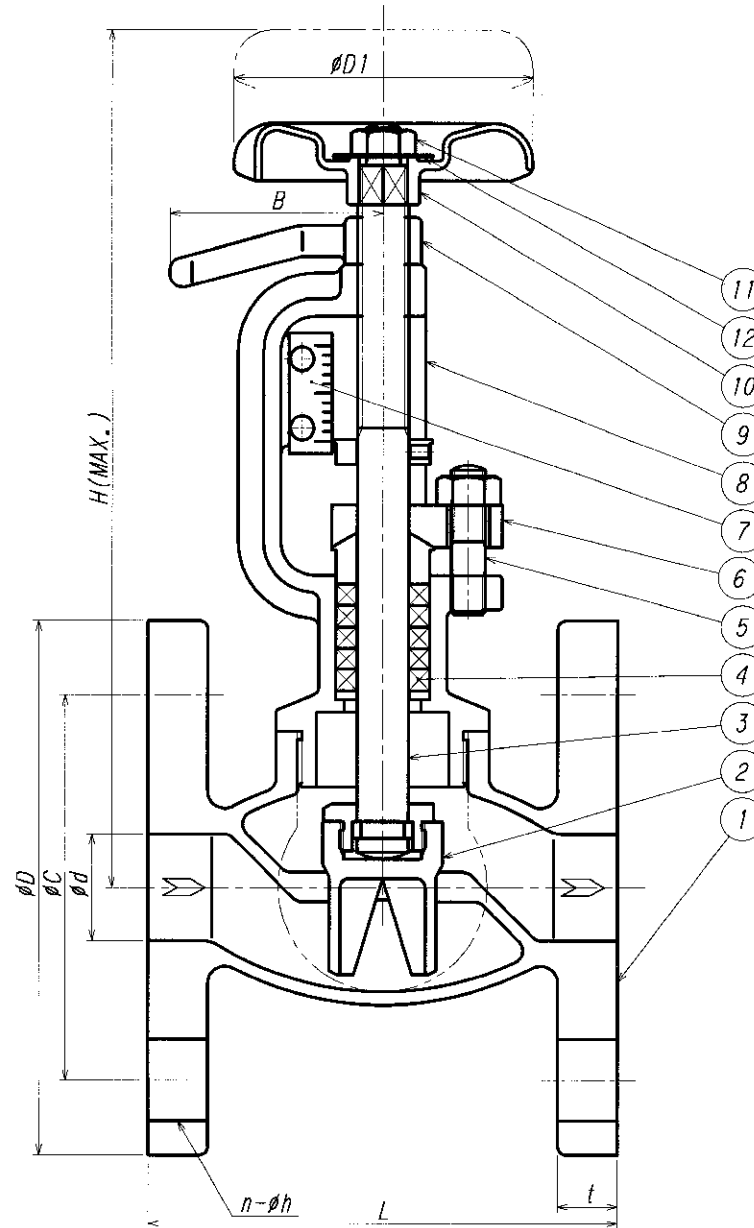


PARTS LIST

MARK	PARTICULAR	MATERIALS	QUAN	REMARK
1	BODY	CAC406	1	
2	DISC	C3604*CAC406	1	
3	STEM	C3604	1	
4	PACKING	V#7233	1set	
5	BOLT, NUT	SS400	2set	
6	GLAND	SS400	1	
7	INDICATER	SUS304	1	
8	YOKE COVER	CAC406	1	
9	LOCK LEVER	CAC*SCS*FCD	1	
10	HANDLE	ZDC*FC200	1	
11	NUT	SS400	1	
12	NAME PLATE	SUS304	1	



DIMENSIONS

JIS B2240 10K FF

SIZE	d	L	B	H	D	C	t	h	n	D1	
15A	1/2 B	15	85	40	150	95	70	12	15	4	70
20A	3/4 B	20	95	40	171	100	75	14	15	4	70
25A	1 B	25	110	60	200	125	90	14	19	4	70
32A	1 1/4 B	38	130	70	220	135	100	16	19	4	90
40A	1 1/2 B	38	150	70	240	140	105	16	19	4	100
50A	2 B	50	180	80	280	155	120	16	19	4	125
65A	2 1/2 B	65	215	100	320	175	140	18	19	4	160
80A	3 B	80	235	110	330	185	150	18	19	8	180

第3角法 3RD ANGLE PROJECTION		DIMENSION IN mm	
尺度 SCALE	作成日 DATE	設計圧力 DESIGNED PRESS.	設計温度 DESIGNED TEMP.
NTS		1.0 MPa	100 °C
作成 DRAWN	設計 DESIGNED	確認 CHECKED	承認 APPROVED

TAIYO VALVE MFG. CO., LTD.

BC-F with LOCK HANDLE & INDICATOR
15~80A V-PORT CONTROL VALVE