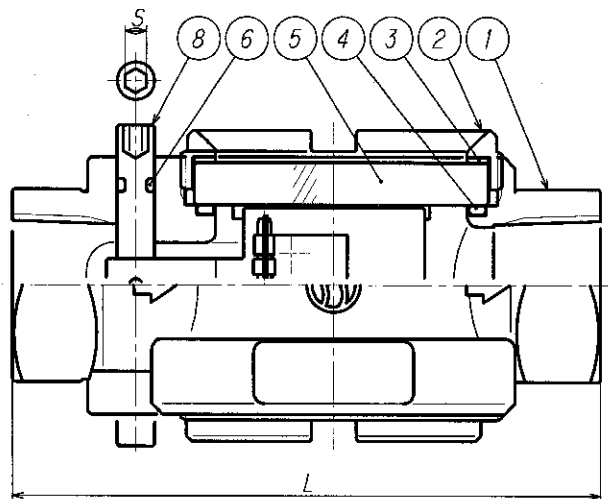
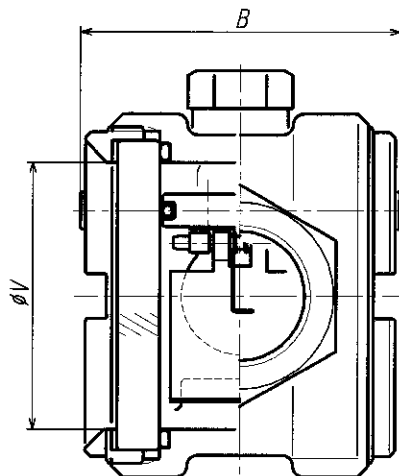
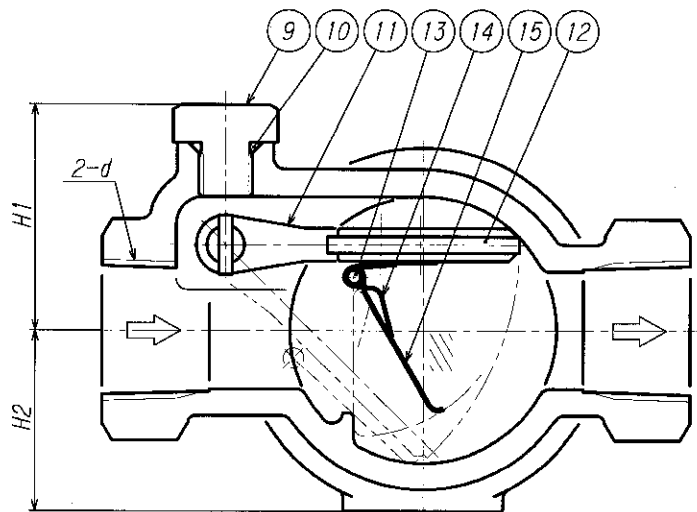


DIMENSIONS										JIS B0203	
SIZE	d	L	H1	H2	B	S	V				
10A	$\frac{3}{8}B$	Rc $\frac{3}{8}$	95	36	28	50	4	37			
15A	$\frac{1}{2}B$	Rc $\frac{1}{2}$	95	36	28	50	4	37			
20A	$\frac{3}{4}B$	Rc $\frac{3}{4}$	110	42	34	60	4	50			
25A	$1B$	Rc1	125	42	34	60	4	50			
32A	$1\frac{1}{4}B$	Rc $1\frac{1}{4}$	140	50	46	85	5	65			
40A	$1\frac{1}{2}B$	Rc $1\frac{1}{2}$	160	50	46	85	5	65			

PARTS LIST				
MARK	PARTICULAR	MATERIALS	QUAN	REMARK
1	BODY	SCS13	1	
2	SET RING	C3771*C3604	2	
3	CUSHION GASKET	SHEET	2	*1
4	O-RING	NBR	2	
5	SIGHT GLASS	GLASS	2	*2
6	O-RING	NBR	2	
7				
8	SPINDLE	SUS304	1	
9	PLUG	SUS304	1	
10	O-RING	NBR	1	
11	BRUSH HOLDER	SCS13	2	
12	BRUSH	TEFLON PFA	1	
13	PIN	SUS304	1	
14	SPRING	SUS304	1	
15	FLAPPER	SUS304	1	



* The (9) Plug can be used as a drain plug by turning upside down.

*1 NON ASBESTOS

*2 REINFORCED

第3角法		SRD ANGLE PROJECTION		DIMENSION IN mm	
尺 度	作成日	設計圧力	設計温度		
SCALE	DATE	DESIGNED PRESS.	DESIGNED TEMP.		
NTS		1.0 MPa	80 °C		
作 成	設 計	確 認	承 認		
DRAWN	DESIGNED	CHECKED	APPROVED		

TAIYO VALVE MFG. CO., LTD.

SU4W-SSGF
10~40A SIGHT GLASS