

DIMENSIONS

JIS B2238 10K RF

SIZE	d	L	D	C	t	n	h	H1	H2	B	S	V	g	f
10A	3/8 B	14	125	90	65	12	4	15	36	28	50	4	37	46
15A	1/2 B	14	125	95	70	12	4	15	36	28	50	4	37	51
20A	3/4 B	22	150	100	75	14	4	15	42	34	60	4	50	56
25A	1 B	22	150	125	90	14	4	19	42	34	60	4	50	67
32A	1 1/4 B	38	190	135	100	16	4	19	50	46	85	5	65	76
40A	1 1/2 B	38	190	140	105	16	4	19	50	46	85	5	65	81

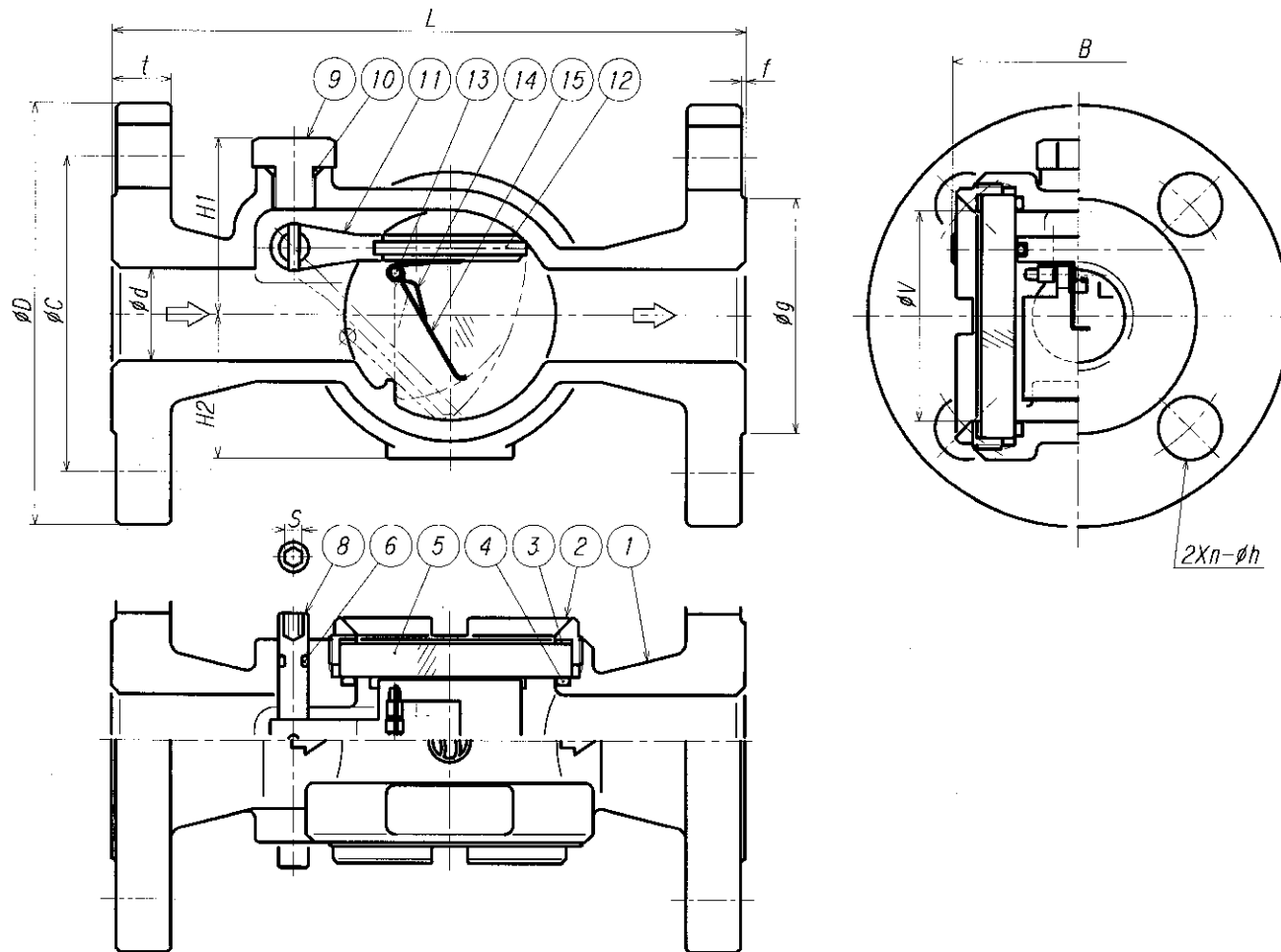
PARTS LIST

MARK	PARTICULAR	MATERIALS	QUAN	REMARK
1	BODY	SCS13	1	
2	SET RING	C3771*C3604	2	
3	CUSHION GASKET	SHEET	2	*1
4	O-RING	NBR	2	
5	SIGHT GLASS	GLASS	2	*2
6	O-RING	NBR	2	
7				
8	SPINDLE	SUS304	1	
9	PLUG	SUS304	1	
10	O-RING	NBR	1	
11	BRUSH HOLDER	SCS13	2	
12	BRUSH	TEFLON PFA	1	
13	PIN	SUS304	1	
14	SPRING	SUS304	1	
15	FLAPPER	SUS304	1	

* The (9) Plug can be used as a drain plug by turning upside down.

*1 NON ASBESTOS

*2 REINFORCED



第3角法		3RD ANGLE PROJECTION		DIMENSION IN mm	
尺度 SCALE	作成日 DATE	設計任力 DESIGNED PRESS.	設計温度 DESIGNED TEMP.		
NTS		1.0 MPa		80 °C	
作成 DRAWN	設計 DESIGNED	確認 CHECKED	承認 APPROVED		

TAIYO VALVE MFG. CO., LTD.

SU4W-FSGF
10~40A SIGHT GLASS