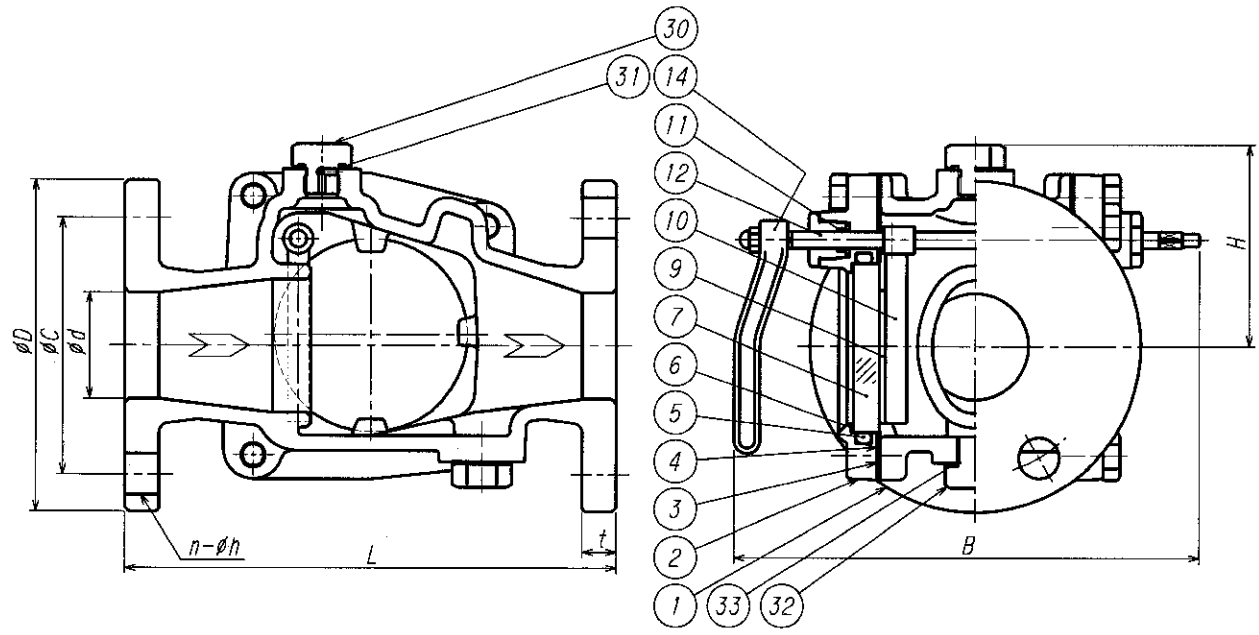


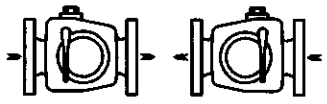
DIMENSIONS											JIS B2239 10K FF	
SIZE	d	L	B	H	D	C	t	h	n			
15A 1/2 B	20	156	145	68	95	70	12	15	4			
20A 3/4 B	20	160	145	68	100	75	14	15	4			
25A 1 B	25	190	151	72	125	90	14	19	4			
32A 1 1/4 B	38	210	178	87	135	100	16	19	4			
40A 1 1/2 B	38	210	178	87	140	105	16	19	4			
50A 2 B	50	230	218	95	155	120	16	19	4			
65A 2 1/2 B	65	280	238	107	175	140	18	19	4			
80A 3 B	80	310	258	120	185	150	18	19	8			
100A 4 B	100	340	298	131	210	175	18	19	8			
125A 5 B	125	360	323	143	250	210	20	23	8			

PARTS LIST				
MARK	PARTICULAR	MATERIALS	QUAN.	REMARK
1	BODY	FCD450	1	
2	COVER	FCD450	2	
3	GASKET	SHEET	2	*
4	O-RING	NBR	2	
5	O-RING	NBR	2	
6	CUSHION GASKET	SHEET	2	*
7	SIGHT GLASS	GLASS	2	*1
8				
9	BRUSH	NBR	2	
10	BRUSH HOLDER	SUS304	2	
11	O-RING	NBR	2	
12	SPINDLE	SUS304	1	
13				
14	HANDLE	SCS13*FCD450	1	
30	PLUG	C3604	1	
31	O-RING	NBR	1	
32	DRAIN PLUG	C3604	1	
33	O-RING	NBR	1	

the cap nut is removed and the handle (14) is installed on the opposite end of the spindle (12)



* NON ASBESTOS
*1 REINFORCED



第3角法 3RD ANGLE PROJECTION		DIMENSION mm	
尺 度 SCALE	作 成 日 DATE	設 計 圧 力 DESIGNED PRESS.	設 計 温 度 DESIGNED TEMP.
NTS		1.0 MPa	80 °C
作 成 DRAWN	設 計 DESIGNED	確 認 CHECKED	承 認 APPROVED
◎ TAIYO VALVE MFG. CO., LTD.			
FCD-FO-Nf 15~125A SIGHT GLASS			