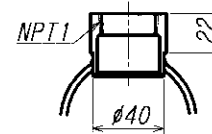
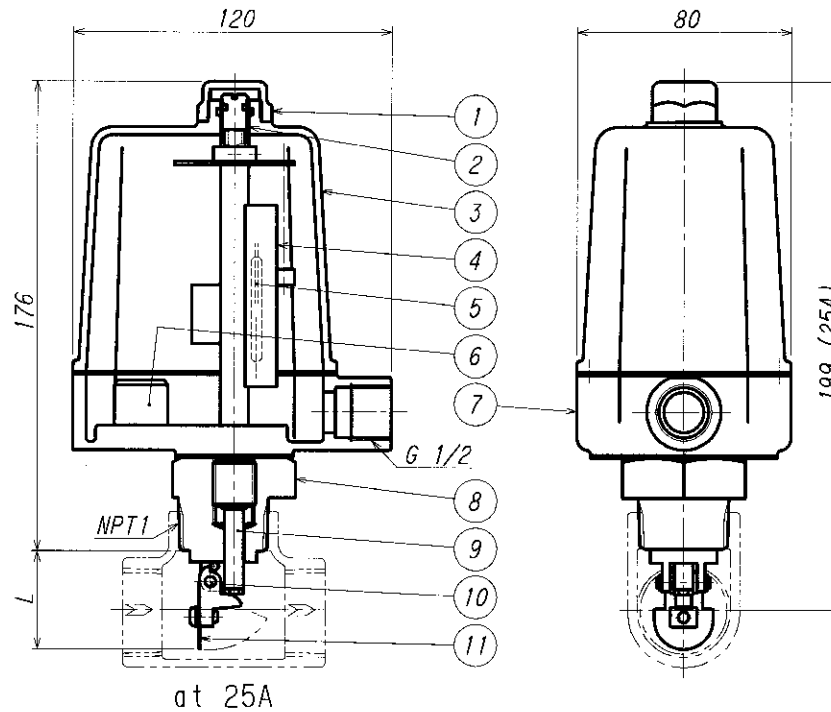


DIMENSIONS			
	SIZE		L (MAX)
	25A	1 B with "T"	
	32A	1 1/4 B	68
	40A	1 1/2 B	74
	50A	2 B	64
	65A	2 1/2 B	79
	80A	3 B	92
	100A	4 B	117
	125A	5 B	142
	150A	6 B	167
	200A	8 B	217
	250A	10 B	267

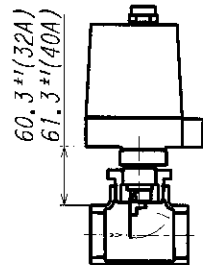
We are provided with the "Weld-on Socket"



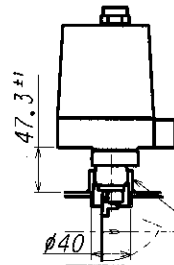
PARTSLIST				
MARK	PARTICULAR	MATERIALS	QUAN	REMARK
1	CAP	C3604	1	
2	PIPE	SUS304	1	
3	COVER	AC2A	1	
4	R. SW. CASE	PLASTICS	1	
5	REED SWITCH		1	
6	TERMINAL	PLASTICS	1	
7	TERMINAL BOX	AC2A	1	
8	ADAPTER	SUS304	1	
9	Mg. STEM	SUS304	1	
10	PIN	SUS304	1	
11	FLAPPER	SUS304	1	



Use a corrosion resistive "Bushing" or "Socket"



1 1/4 ~ 1 1/2 B (32~40A)  
"Bushing"



2B (50A~) and over  
"Socket"

Weld-on Socket (option)

第3角法 3RD ANGLE PROJECTION		DIMENSION IN mm	
尺度 SCALE	作成日 DATE	設計圧力 DESIGNED PRESS.	設計温度 DESIGNED TEMP.
NTS		1.0 MPa	80 °C
作成 DRAWN	設計 DESIGNED	確認 CHECKED	承認 APPROVED

TAIYO VALVE MFG. CO., LTD.

SU4-S1L  
NPT 25~250A FLOW SWITCH