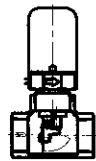
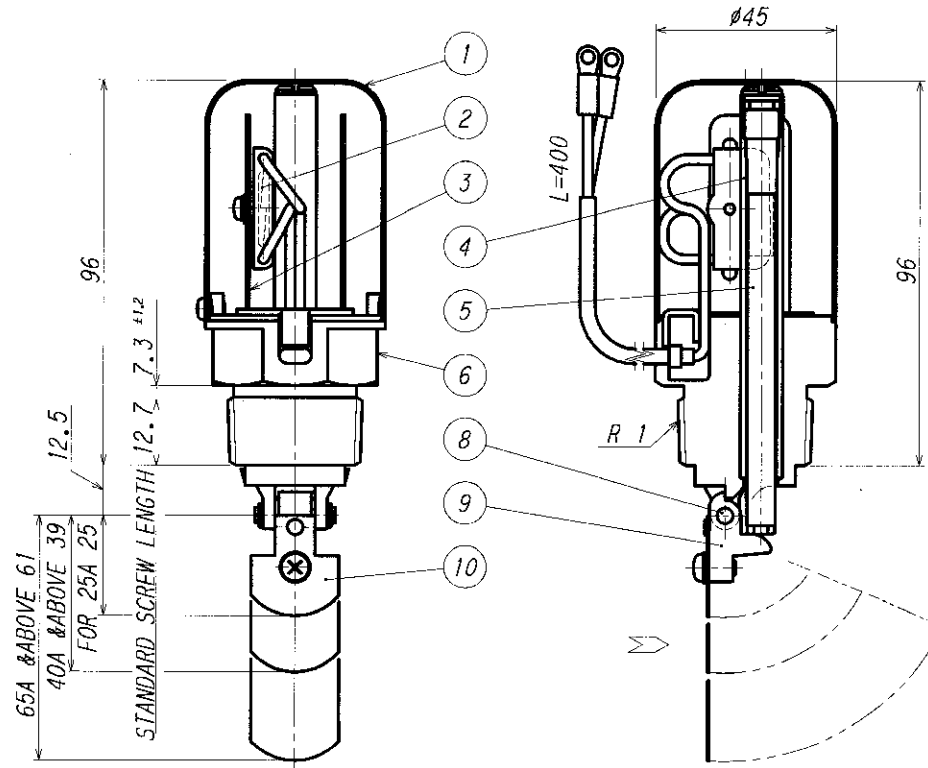


*SIGNAL FLOW RATE HORIZONTAL FLOW/WATER			
CONNECTION	FLAPPER	SIGNAL FLOW RATE UNDER "ON"	RETURN FLOW RATE OVER "OFF"
1 "T"	25A	18l/min	24l/min
1 1/2x1 "REDUCING T"	40A	40l/min	55l/min
65A PIPE "WELD-ON SOCKET"	65A	100l/min	140l/min

\* REFERENCE  
OVER "ON" BY ADJUSTING A POSITION OF A SWITCH

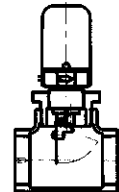
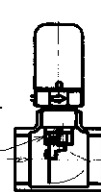
PARTS LIST				
MARK	PARTICULAR	MATERIALS	QUAN.	REMARK
1	COVER	A3004	1	
2	REED SWITCH		1	
3	BRACKET	C2801	1	
4	PIPE	SUS304	1	
5	Mg. STEM	SUS304	1	*
6	BODY	PLASTICS	1	
7				
8	PIN	SUS304	1	
9	CAM	SUS304	1	
10	FLAPPER	SUS304	1 set	

\* WITH MAGNET

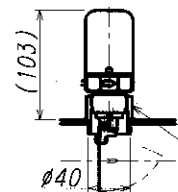


"SCREW T" IS ASSEMBLED  
AND DELIVERED  
(ONLY AT 25A)

RUST DEFENSE SKIRT  
(OPTION)



1 1/2~1 1/2B(32~40A)  
"REDUCING T" OR "BUSHING" & "T"



2B(50A~ ) AND OVER  
"WELD-ON SOCKET" (SUS304)

第3角法 3RD ANGLE PROJECTION		DIMENSION mm	
尺度 SCALE	作成日 DATE	設計圧力 DESIGNED PRESS.	設計温度 DESIGNED TEMP.
NTS		1.0 MPa	80 °C
作成 DRAWN	設計 DESIGNED	確認 CHECKED	承認 APPROVED

TAIYO VALVE MFG. CO., LTD.

PL-S1L  
FLOW SWITCH