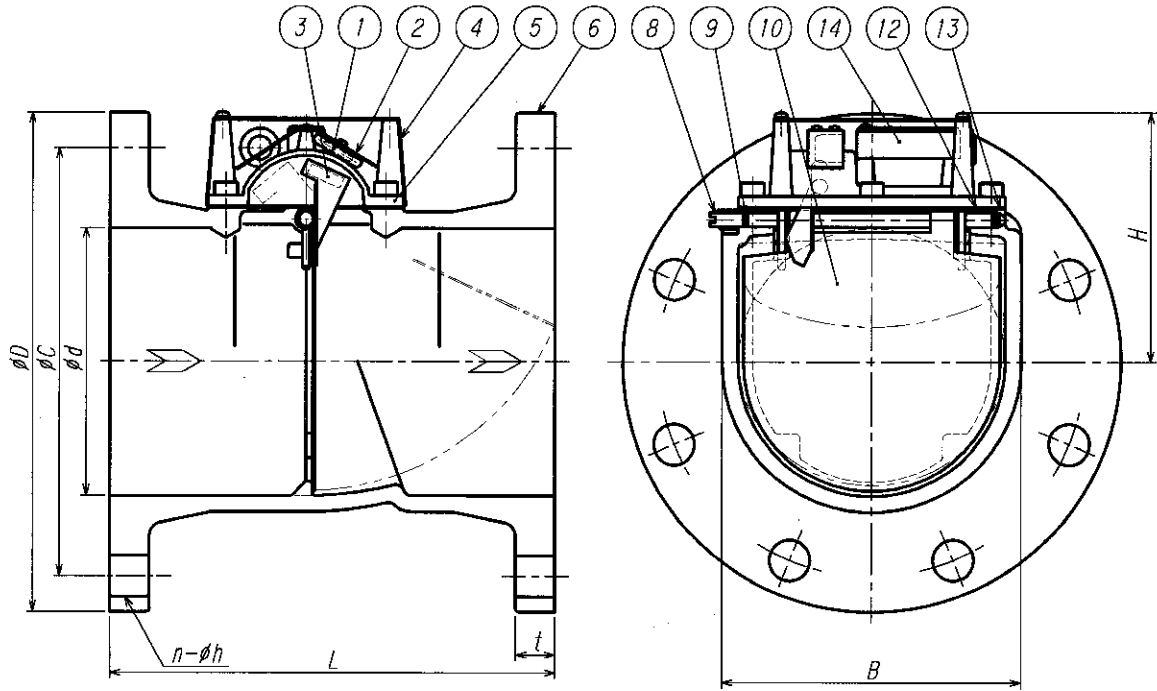


DIMENSIONS											JIS B2240 10K FF	
SIZE	d	L	B	H	D	C	t	h	n			
100A	4	B	110	210	157	121	210	175	20	19	8	
125A	5	B	110	210	157	121	250	210	20	23	8	
150A	6	B	150	250	180	141	280	240	22	23	8	

PARTS LIST				
MARK	PARTICULAR	MATERIALS	QUAN.	REMARK
1	REED SWITCH		1	*
2	BRACKET	C2801	1	
3	MAGNET	MK5	1	
4	COVER	A5052	1	
5	SWITCH BOX	CAC406	1	
6	BODY	CAC406	1	
7	----			
8	SPINDLE	SUS304	1	
9	O-RING	NBR	2	
10	FLAPPER	SUS304	1	
11	----			
12	GASKET	NBR	1	
13	RETAINER SHEET	SHEET	1	*1
14	TERMINAL BLOCK	PLASTICS	1	

* PVC CASE
*1 NON ASBESTOS



Straight pipe section
for guaranteeing accuracy
••Before and after 3D
(3 times diameter)

第3角法 3RD ANGLE PROJECTION		DIMENSION IN mm	
尺度 SCALE	作成日 DATE	設計圧力 DESIGNED PRESS.	設計温度 DESIGNED TEMP.
NTS		1.0 MPa	80 °C
作成 DRAWN	設計 DESIGNED	確認 CHECKED	承認 APPROVED

TAIYO VALVE MFG. CO., LTD.
BC-FMR (A)
100~150A FLOW SWITCH