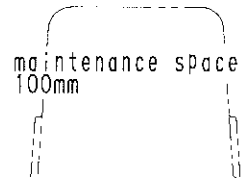


DIMENSIONS							JIS B0203	
SIZE	d	L	B	H1	H2			
15A	1/2 B	Rc 1/2	120	145	38	183		
20A	3/4 B	Rc 3/4	120	145	38	183		
25A	1 B	Rc 1	140	151	42	187		
32A	1 1/4 B	Rc 1 1/4	210	178	58	202		
40A	1 1/2 B	Rc 1 1/2	210	178	58	202		

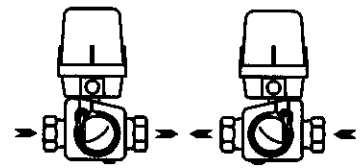
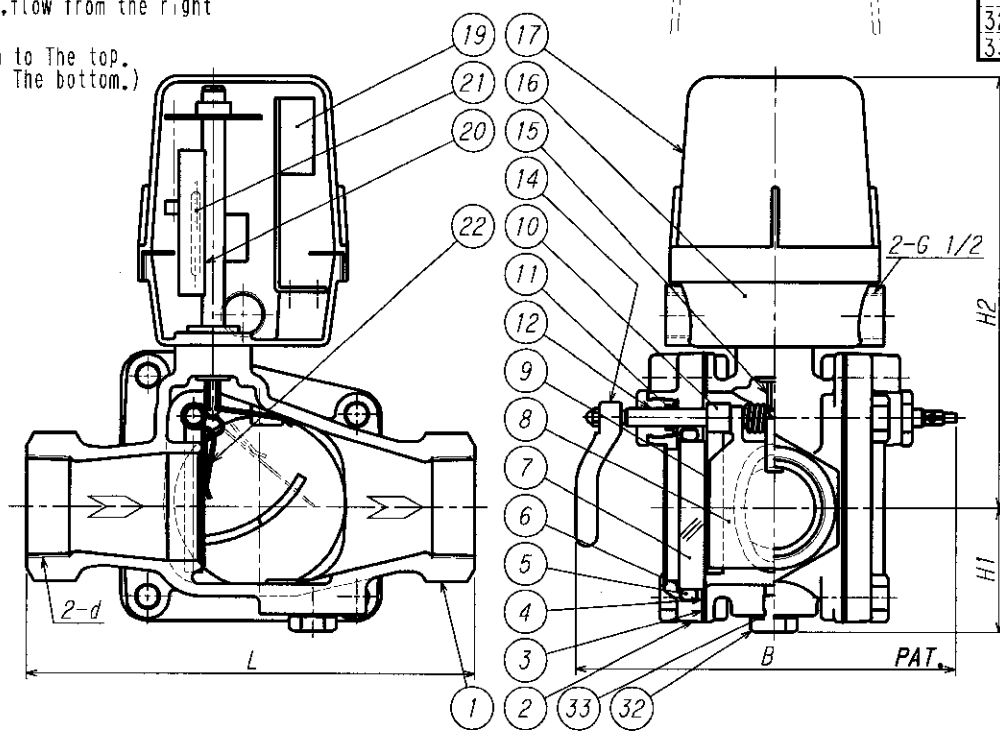
PARTS LIST				
MARK	PARTICULAR	MATERIALS	QUAN.	REMARK
1	BODY	SCS13	1	
2	COVER	SCS13	2	
3	GASKET	SHEET	2	*
4	O-RING	NBR	2	
5	O-RING	NBR	2	
6	CUSHION GASKET	SHEET	2	*
7	SIGHT GLASS	GLASS	2	*1
8	FLAPPER	SUS304*TP340	1	
9	BRUSH	NBR	2	
10	BRUSH HOLDER	SUS304	2	
11	O-RING	NBR	2	
12	SPINDLE	SUS304	1	
13	---	---	---	---
14	HANDLE	SCS13	1	
15	MAGNET STEM	SUS304	1	
16	TERMINAL BOX	NYLON	1	*1
17	T.BOX COVER	NYLON	1	*1
18	---	---	---	---
19	TERMINAL	PLASTICS	1	
20	R.SW. CASE	PLASTICS	1	
21	REED SWITCH		1	
22	SPRING	SUS304	1 set	
32	DRAIN PLUG	SUS304	1	
33	O-RING	NBR	1	

This drawing is shown for flow from the left to the right, but when the cap nut is removed and the handle(14) is installed on the opposite end of the spindle(12), flow from the right to the left will be obtained.

(The type-U is for flow from the bottom to The top. The type-D is for flow from the top to The bottom.)



Straight pipe section for guaranteeing accuracy  
 --Before and after 3D  
 (3times diameter)



\* NON ASBESTOS  
 \*1 RE INFORCED

第3角法 3RD ANGLE PROJECTION				DIMENSION IN mm	
尺度 SCALE	作成日 DATE	設計圧力 DESIGNED PRESS.	設計温度 DESIGNED TEMP.		
NTS		1.0 MPa	80 °C		
作成 DRAWN	設計 DESIGNED	確認 CHECKED	承認 APPROVED		
◎ TAIYO VALVE MFG. CO., LTD.					
SU4W-SR-PLS 15~40A FLOW GAGE					