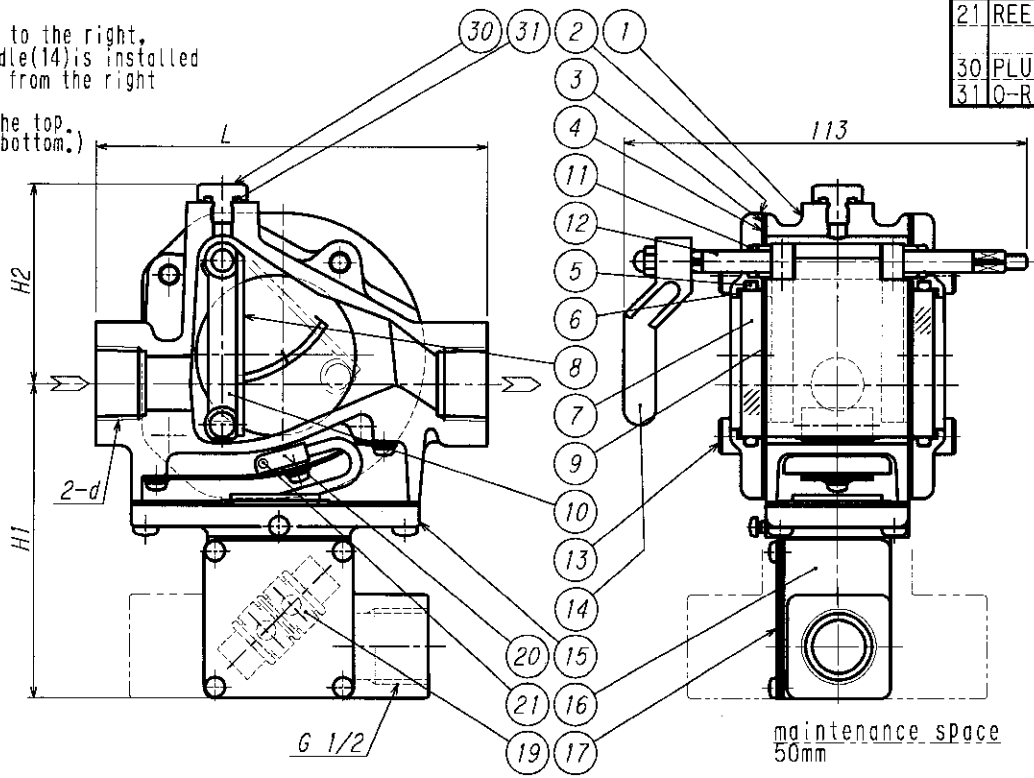


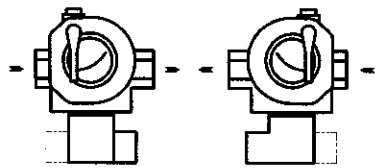
DIMENSIONS		JIS B0203	
SIZE	d	L	H1:H2
10A	$\frac{3}{8}$ B Rc $\frac{3}{8}$	110	88:56
15A	$\frac{1}{2}$ B Rc $\frac{1}{2}$	110	88:56
20A	$\frac{3}{4}$ B Rc $\frac{3}{4}$	125	91:59
25A	1 B Rc 1	140	91:59

PARTS LIST				
MARK	PARTICULAR	MATERIALS	QUAN.	REMARK
1	BODY	SCS13	1	
2	COVER	SCS13	2	
3	GASKET	SHEET	2	*
4	O-RING	NBR	2	
5	O-RING	NBR	2	
6	CUSHION GASKET	SHEET	2	*
7	SIGHT GLASS	GLASS	2	REINFORCED
8	FLAPPER	PVC*SUS304	1	P,Atype
9	BRUSH	NBR	2	
10	BRUSH HOLDER	SUS304	2	
11	O-RING	NBR	2	
12	SPINDLE	SUS304	1	
13	CAP BOLT	SUS304	8	
14	HANDLE	SCS13	1	
15	T. BOX SEAT	AC2A	1	
16	TERMINAL BOX	AC2A	1	
17	T. BOX COVER	C2801	1	
18				
19	TERMINAL	PLASTICS	1	
20	R. SW. CASE	PLASTICS	1	
21	REED SWITCH		1	
30	PLUG	SUS304	1	
31	O-RING	NBR	1	

This drawing is shown for flow from the left to the right, but when the cap nut is removed and the handle(14) is installed on the opposite end of the spindle(12), flow from the right to the left will be obtained.  
 (The type-U is for flow from the bottom to the top. The type-D is for flow from the top to the bottom.)



Straight pipe section for guaranteeing accuracy  
 --Before and after 3D (3times diameter)



\* NON ASBESTOS

第3角法 3RD ANGLE PROJECTION		DIMENSION IN mm	
尺度 SCALE	作成日 DATE	設計圧力 DESIGNED PRESS.	設計温度 DESIGNED TEMP.
NTS		1.0 MPa	60 °C
作成 DRAWN	設計 DESIGNED	確認 CHECKED	承認 APPROVED
<b>TAIYO VALVE MFG. CO., LTD.</b>			
<b>SU4W-SHRT</b>			
<b>10~25A FLOW GAGE</b>			