

**DIMENSIONS**

JIS B2238 10K RF

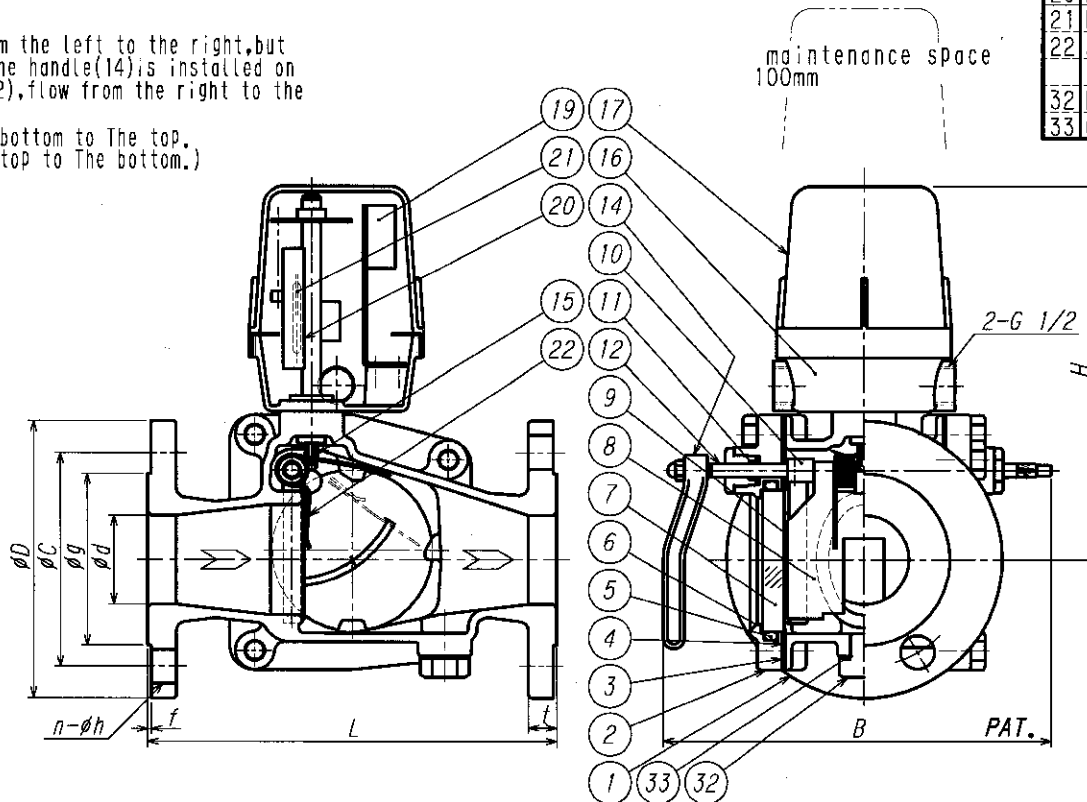
SIZE	d	L	B	H	D	C	t	h	n	g	f
15A 1/2 B	20	156	145	183	95	70	12	15	4	51	1
20A 3/4 B	20	160	145	183	100	75	14	15	4	56	1
25A 1 B	25	190	151	187	125	90	14	19	4	67	1
32A 1 1/4 B	38	210	178	202	135	100	16	19	4	76	2
40A 1 1/2 B	38	210	178	202	140	105	16	19	4	81	2
50A 2 B	50	230	218	210	155	120	16	19	4	96	2
65A 2 1/2 B	65	280	238	222	175	140	18	19	4	116	2
80A 3 B	80	310	258	235	185	150	18	19	8	126	2
100A 4 B	100	340	298	246	210	175	18	19	8	151	2

**PARTS LIST**

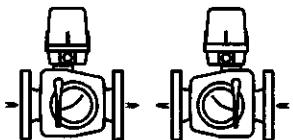
MARK	PARTICULAR	MATERIALS	QUAN.	REMARK
1	BODY	SCS13	1	
2	COVER	SCS13	2	
3	GASKET	SHEET	2	*
4	O-RING	NBR	2	
5	O-RING	NBR	2	
6	CUSHION GASKET	SHEET	2	*
7	SIGHT GLASS	GLASS	2	*1
8	FLAPPER	SUS304	1	
9	BRUSH	NBR	2	
10	BRUSH HOLDER	SUS304	2	
11	O-RING	NBR	2	
12	SPINDLE	SUS304	1	
13	---	---	---	---
14	HANDLE	SCS13*FCD450	1	
15	MAGNET STEM	SUS304	1	
16	TERMINAL BOX	NYLON	1	*1
17	T. BOX COVER	NYLON	1	*1
18	---	---	---	---
19	TERMINAL	PLASTICS	1	
20	R. SW. CASE	PLASTICS	1	
21	REED SWITCH		1	
22	SPRING	SUS304	1set	
32	DRAIN PLUG	SUS304	1	
33	O-RING	NBR	1	

This drawing is shown for flow from the left to the right, but when the cap nut is removed and the handle(14) is installed on the opposite end of the spindle(12), flow from the right to the left will be obtained.  
 (The type-U is for flow from the bottom to The top.  
 The type-D is for flow from the top to The bottom.)

Straight pipe section for guaranteeing accuracy  
 --Before and after 3D  
 (3times diameter)



\* NON ASBESTOS  
 \*1 REINFORCED



第3角法 3RD ANGLE PROJECTION		DIMENSION IN mm	
尺度 SCALE	作成日 DATE	設計圧力 DESIGNED PRESS.	設計温度 DESIGNED TEMP.
NTS		1.0 MPa	80 °C
作成 DRAWN	設計 DESIGNED	確認 CHECKED	承認 APPROVED

⊙ TAIYO VALVE MFG. CO., LTD.  
**SU4W-FR-PLS**  
**15~100A FLOW GAGE**