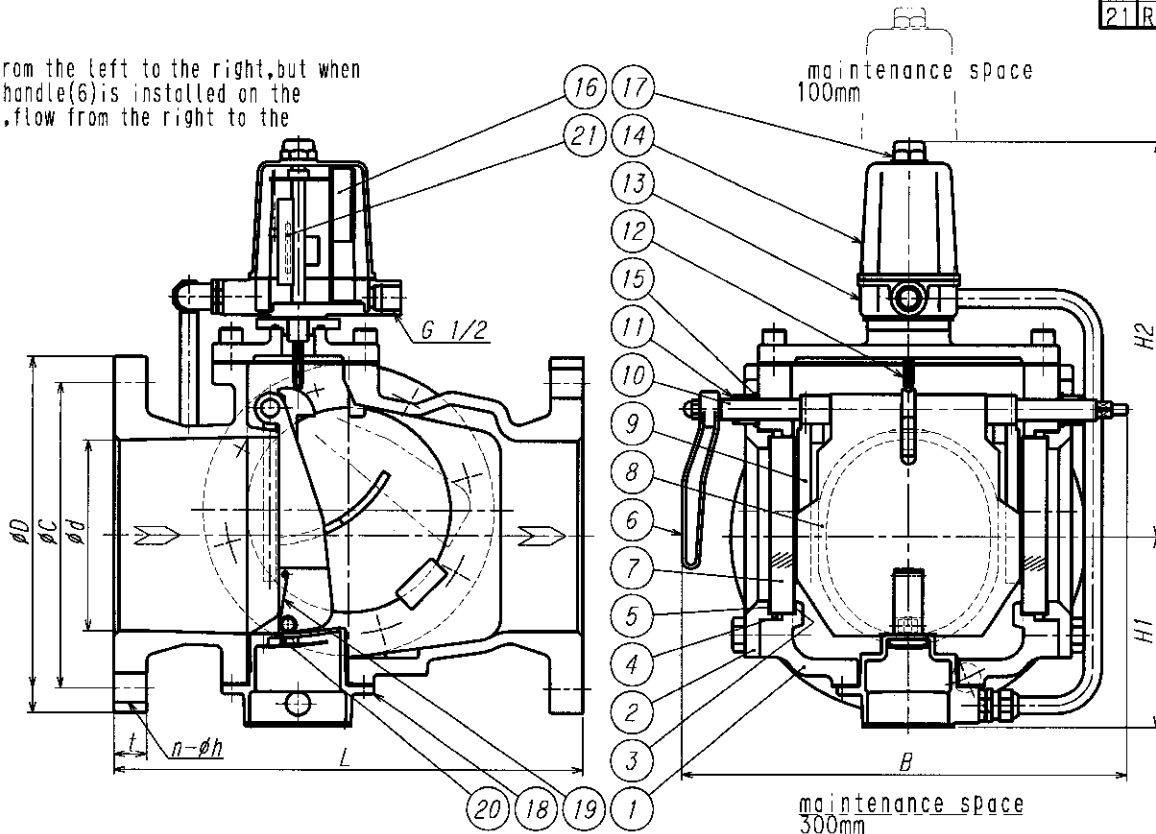


DIMENSIONS													JIS B2239 10K FF	
SIZE	d	L	B	H1	H2	D	C	t	h	n				
150A	6	B	150	370	352	151	312	280	240	22	23	8		
200A	8	B	200	400	425	175	342	330	290	26	23	12		
250A	10	B	250	450	501	199	386	400	355	30	25	12		
300A	12	B	300	500	609	245	456	445	400	32	25	16		
350A	14	B	350	560	653	265	480	490	445	34	25	16		
400A	16	B	400	640	705	295	508	560	510	36	27	16		

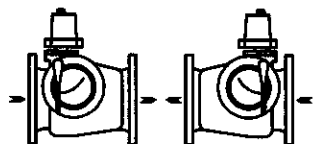
PARTS LIST				
MARK	PARTICULAR	MATERIALS	QUAN	REMARK
1	BODY	FCD450	1	※
2	COVER	FCD450	2	※
3	CUSHION	SHEET		※1
4	O-RING	NBR	2	
5	CUSHION GASKET	SHEET	2	※1
6	HANDLE	FCD450	1	
7	SIGHT GLASS	GLASS	2	※2
8	FLAPPER	CAC406	1	
9	BRUSH	NBR*SUS304	2	
10	SPINDLE	SUS304	1	
11	GLAND	C3604	2	
12	MAGNET STEM	SUS304	1	
13	TERMINAL BOX	AC2A	1	
14	T. BOX COVER	AC2A	1	
15	O-RING	NBR	2	
16	TERMINAL	PLASTICS	1	
17	CAP	C3604	1	
18	SWITCH BOX	CAC406	1	
19	FLAPPER	SUS304	1	
20	REED SWITCH		1	
21	REED SWITCH		1	

This drawing is shown for flow from the left to the right, but when the cap nut is removed and the handle(6) is installed on the opposite end of the spindle(10), flow from the right to the left will be obtained.

Straight pipe section for guaranteeing accuracy
 •• Before and after 3D (3 times diameter)



※ NYLON COATED
 ※1 NON ASBESTOS
 ※2 REINFORCED



第3角法 3RD ANGLE PROJECTION		DIMENSION mm	
尺度 SCALE	作成日 DATE	設計圧力 DESIGNED PRESS.	設計温度 DESIGNED TEMP.
NTS		1.0 MPa	60 °C
作成 DRAWN	設計 DESIGNED	確認 CHECKED	承認 APPROVED

◎ TAIYO VALVE MFG. CO., LTD.
FCDNZB-FRHR
150~400A FLOW GAGE