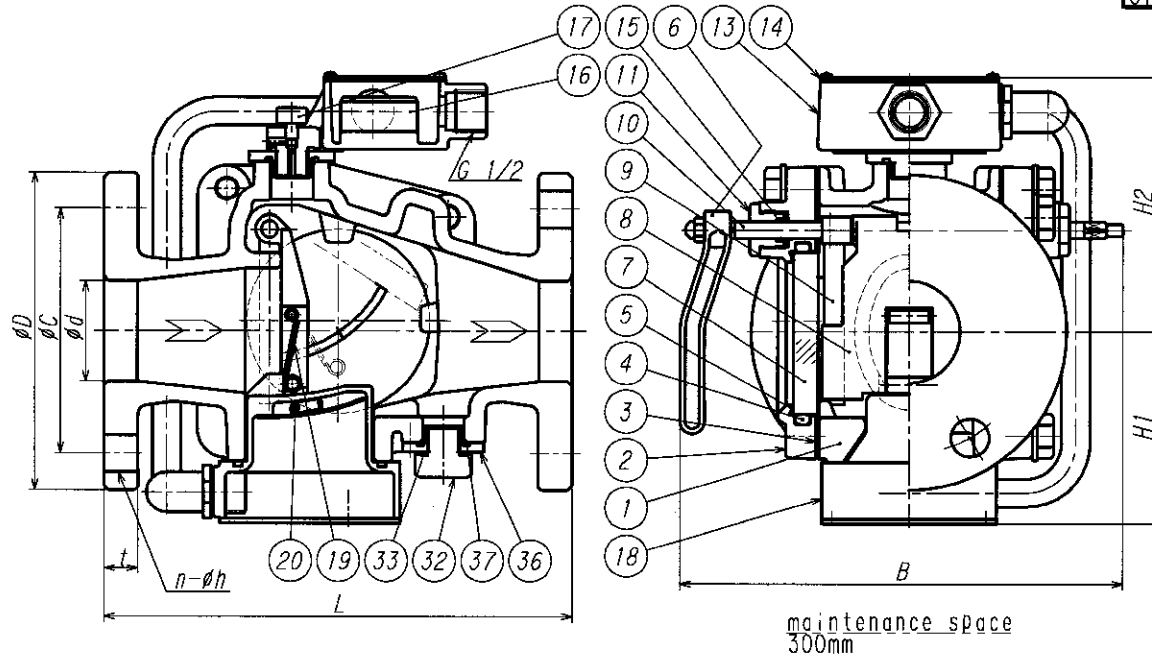


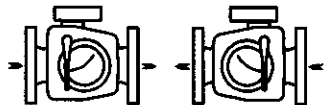
DIMENSIONS												JIS B2239 10K FF	
SIZE	d	L	B	H1	H2	D	C	t	h	n			
50A/2 B	50	230	218	94	125	155	120	16	19	4			
65A/2 1/2 B	65	280	238	113	137	175	140	18	19	4			
80A/3 B	80	310	258	123	150	185	150	18	19	8			
100A/4 B	100	340	298	117	161	210	175	18	19	8			
125A/5 B	125	360	323	126	173	250	210	20	23	8			

PARTS LIST				
MARK	PARTICULAR	MATERIALS	QUAN	REMARK
1	BODY	FCD450	1	*
2	COVER	FCD450	2	*
3	GASKET	SHEET*NBR	2	*1
4	O-RING	NBR	2	
5	CUSHION GASKET	SHEET	2	*1
6	HANDLE	SCS13*FCD450	1	
7	SIGHT GLASS	GLASS	2	*2
8	FLAPPER	CAC406	1	
9	BRUSH	NBR*SUS304	2	
10	SPINDLE	SUS304	1	
11	GLAND	C3604	2	
12				
13	TERMINAL BOX	AC2A	1	
14	T. BOX COVER	SS400	1	
15	O-RING	NBR	2	
16	TERMINAL	PLASTICS	1	
17	PLUG	SUS304	1	
18	SWITCH BOX	CAC406	1	
19	FLAPPER	SUS304	1	
20	REED SWITCH		1	
32	DRAINPLUG	C3604	1	
33	O-RING	NBR	1	
36	GLAND	C3604	1	
37	O-RING	NBR	1	

This drawing is shown for flow from the left to the right, but when the cap nut is removed and the handle(6) is installed on the opposite end of the spindle(10), flow from the right to the left will be obtained.



Straight pipe section for guaranteeing accuracy
 --Before and after 3D (3times diameter)



* NYLON COATED
 *1 SHEET=NON ASBESTOS
 *2 REINFORCED

第3角法 3RD ANGLE PROJECTION		DIMENSION IN mm	
尺度 SCALE	作成日 DATE	設計圧力 DESIGNED PRESS.	設計温度 DESIGNED TEMP.
NTS		1.0 MPa	60 °C
作成 DRAWN	設計 DESIGNED	確認 CHECKED	承認 APPROVED

TAIYO VALVE MFG. CO., LTD.
FCDNZB-FHR
50~125A FLOW GAGE