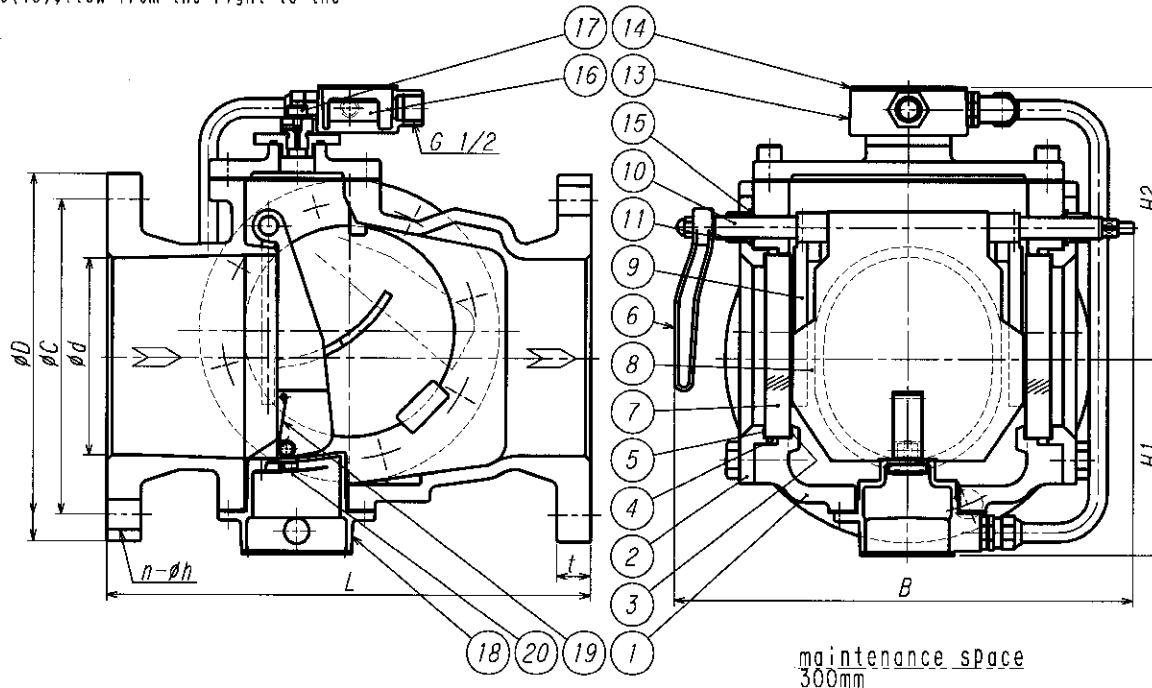


DIMENSIONS												JIS B2239 10K FF	
SIZE	d	L	B	H1	H2	D	C	t	h	n			
150A:6	B 150	370	352	151	208	280	240	22	23	8			
200A:8	B 200	400	425	175	238	330	290	26	23	12			
250A:10	B 250	450	501	199	282	400	355	30	25	12			
300A:12	B 300	500	609	245	352	445	400	32	25	16			
350A:14	B 350	560	653	265	376	490	445	34	25	16			
400A:16	B 400	640	705	295	404	560	510	36	27	16			

PARTS LIST				
MARK	PARTICULAR	MATERIALS	QUAN	REMARK
1	BODY	FCD450	1	※
2	COVER	FCD450	2	※
3	CUSHION	SHEET		※1
4	O-RING	NBR	2	
5	CUSHION GASKET	SHEET	2	※1
6	HANDLE	FCD450	1	
7	SIGHT GLASS	GLASS	2	※2
8	FLAPPER	CAC406	1	
9	BRUSH	NBR*SUS304	2	
10	SPINDLE	SUS304	1	
11	GLAND	C3604	2	
12				
13	TERMINAL BOX	AC2A	1	
14	T_BOX COVER	SS400	1	
15	O-RING	NBR	2	
16	TERMINAL	PLASTICS	1	
17	PLUG	SUS304	1	
18	SWITCH BOX	CAC406	1	
19	FLAPPER	SUS304	1	
20	REED SWITCH		1	

This drawing is shown for flow from the left to the right, but when the cap nut is removed and the handle(6) is installed on the opposite end of the spindle(10), flow from the right to the left will be obtained.

Straight pipe section for guaranteeing accuracy
 --Before and after 3D
 (3 times diameter)



※ NYLON COATED
 ※1 NON ASBESTOS
 ※2 REINFORCED

第3角法		3RD ANGLE PROJECTION		DIMENSION IN mm	
尺度	作成日	設計圧力	設計温度		
SCALE	DATE	DESIGNED PRESS.	DESIGNED TEMP.		
NTS		1.0 MPa	60 °C		
作成	設計	確認	承認		
DRAWN	DESIGNED	CHECKED	APPROVED		

⊙ TAIYO VALVE MFG. CO., LTD.
FCDNZB-FHR
150~400A FLOW GAGE

