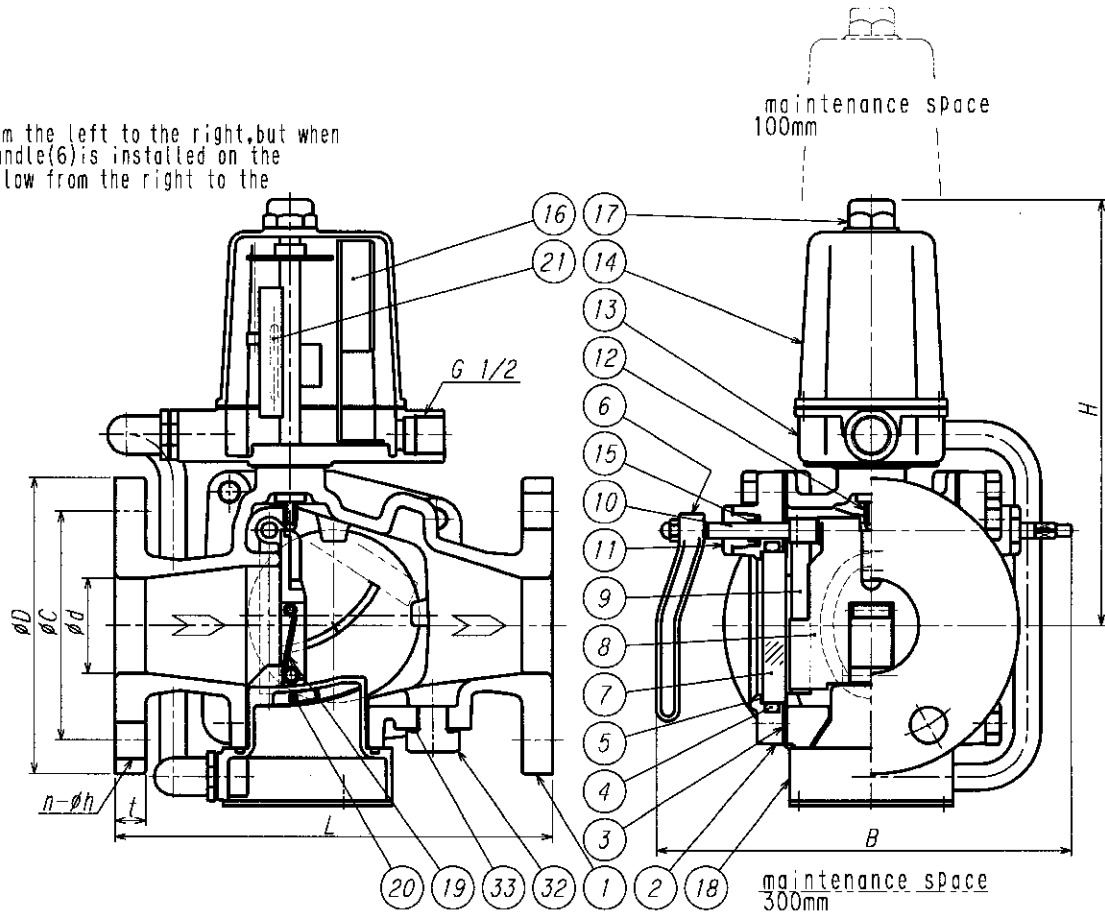


DIMENSIONS												JIS B2239 10K FF	
SIZE	d	L	B	H1	H2	D	C	t	h	n			
50A2	B	50	230	218	94	224	155	120	16	19	4		
65A2 1/2	B	65	280	238	113	236	175	140	18	19	4		
80A3	B	80	310	258	123	249	185	150	18	19	8		
100A4	B	100	340	298	117	260	210	175	18	19	8		
125A5	B	125	360	323	126	272	250	210	20	23	8		

PARTS LIST				
MARK	PARTICULAR	MATERIALS	QUAN.	REMARK
1	BODY	FCD450	1	
2	COVER	FCD450	2	
3	GASKET	SHEET*NBR	2	*
4	O-RING	NBR	2	
5	CUSHION GASKET	SHEET	2	*
6	HANDLE	SCS13*FCD450	1	
7	SIGHT GLASS	GLASS	2	*1
8	FLAPPER	CAC406	1	
9	BRUSH	NBR*SUS304	2	
10	SPINDLE	SUS304	1	
11	GLAND	C3604	2	
12	MAGNET STEM	SUS304	1	
13	TERMINAL BOX	AC2A	1	
14	T_BOX COVER	AC2A	1	
15	O-RING	NBR	1	
16	TERMINAL	PLASTICS	1	
17	CAP	C3604	1	
18	SWITCH BOX	CAC406	1	
19	FLAPPER	SUS304	1	
20	REED SWITCH		1	
21	REED SWITCH		1	
32	DRAIN PLUG	C3604	1	
33	O-RING	NBR	1	

This drawing is shown for flow from the left to the right, but when the cap nut is removed and the handle(6) is installed on the opposite end of the spindle(10), flow from the right to the left will be obtained.

Straight pipe section for guaranteeing accuracy  
 \*\*Before and after 3D  
 (3times diameter)



\* SHEET=NON ASBESTOS  
 \*1 REINFORCED

第3角法 ③ 3RD ANGLE PROJECTION		DIMENSION IN mm	
尺度 SCALE	作成日 DATE	設計圧力 DESIGNED PRESS.	設計温度 DESIGNED TEMP.
NTS		1.0 MPa	80 °C
作成 DRAWN	設計 DESIGNED	確認 CHECKED	承認 APPROVED

⊙ TAIYO VALVE MFG. CO., LTD.

FCD-FRHR  
 50~125A FLOW GAGE