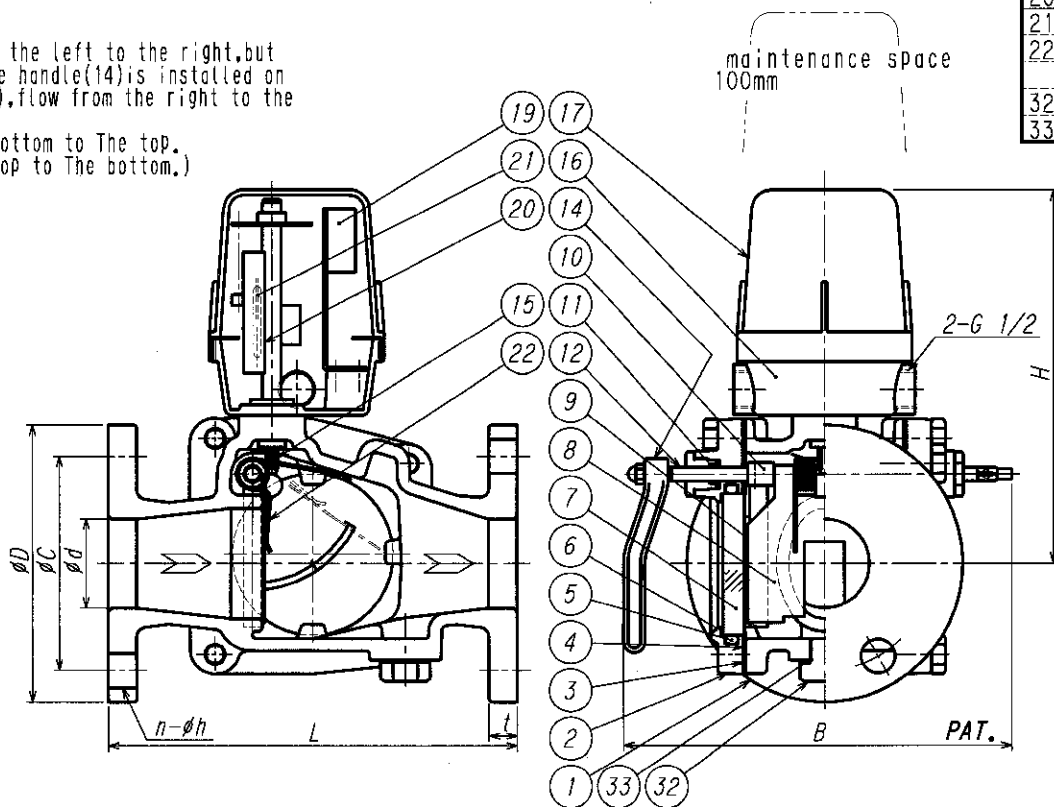


DIMENSIONS											JIS B2239 10K FF	
SIZE	d	L	B	H	D	C	t	h	n			
15A 1/2 B	20	156	145	183	95	70	12	15	4			
20A 3/4 B	20	160	145	183	100	75	14	15	4			
25A 1 B	25	190	151	185	125	90	14	19	4			
32A 1 1/4 B	38	210	178	202	135	100	16	19	4			
40A 1 1/2 B	38	210	178	202	140	105	16	19	4			
50A 2 B	50	230	218	210	155	120	16	19	4			
65A 2 1/2 B	65	280	238	222	175	140	18	19	4			
80A 3 B	80	310	258	235	185	150	18	19	8			
100A 4 B	100	340	298	246	210	175	18	19	8			
125A 5 B	125	360	323	258	250	210	20	23	8			

PARTS LIST				
MARK	PARTICULAR	MATERIALS	QUAN	REMARK
1	BODY	FCD450	1	
2	COVER	FCD450	2	
3	GASKET	SHEET	2	*
4	O-RING	NBR	2	
5	O-RING	NBR	2	
6	CUSHION GASKET	SHEET	2	*
7	SIGHT GLASS	GLASS	2	REINFORCED
8	FLAPPER	SUS304	1	
9	BRUSH	NBR	2	
10	BRUSH HOLDER	SUS304	2	
11	O-RING	NBR	2	
12	SPINDLE	SUS304	1	
13				
14	HANDLE	SCS13*FCD450	1	
15	MAGNET STEM	SUS304	1	
16	TERMINAL BOX	NYLON	1	REINFORCED
17	T. BOX COVER	NYLON	1	REINFORCED
18				
19	TERMINAL	PLASTICS	1	
20	R. SW. CASE	PLASTICS	1	
21	REED SWITCH		1	
22	SPRING	SUS304	1 set	
32	DRAIN PLUG	C3604	1	
33	O-RING	NBR	1	

This drawing is shown for flow from the left to the right, but when the cap nut is removed and the handle(14) is installed on the opposite end of the spindle(12), flow from the right to the left will be obtained.
 (The type-U is for flow from the bottom to The top.)
 The type-D is for flow from the top to The bottom.)

Straight pipe section for guaranteeing accuracy
 **Before and after 3D
 (3times diameter)



* NON ASBESTOS

第3角法 3RD ANGLE PROJECTION		DIMENSION IN mm	
尺度 SCALE	作成日 DATE	設計圧力 DESIGNED PRESS.	設計温度 DESIGNED TEMP.
NTS		1.0 MPa	80 °C
作成 DRAWN	設計 DESIGNED	確認 CHECKED	承認 APPROVED

TAIYO VALVE MFG. CO., LTD.

FCD-FR-PLS
 15~125A FLOW GAGE

