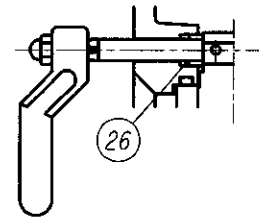


DIMENSIONS JIS B0203			
SIZE	d		
10A	$\frac{3}{8}$ B	Rc $\frac{3}{8}$	
15A	$\frac{1}{2}$ B	Rc $\frac{1}{2}$	
20A	$\frac{3}{4}$ B	Rc $\frac{3}{4}$	
25A	1 B	Rc 1	

- \* NON ASBESTOS
- \*1 REINFORCED
- \*2 WITH MAGNET

### PARTS LIST

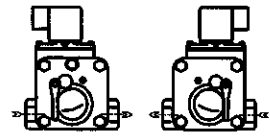
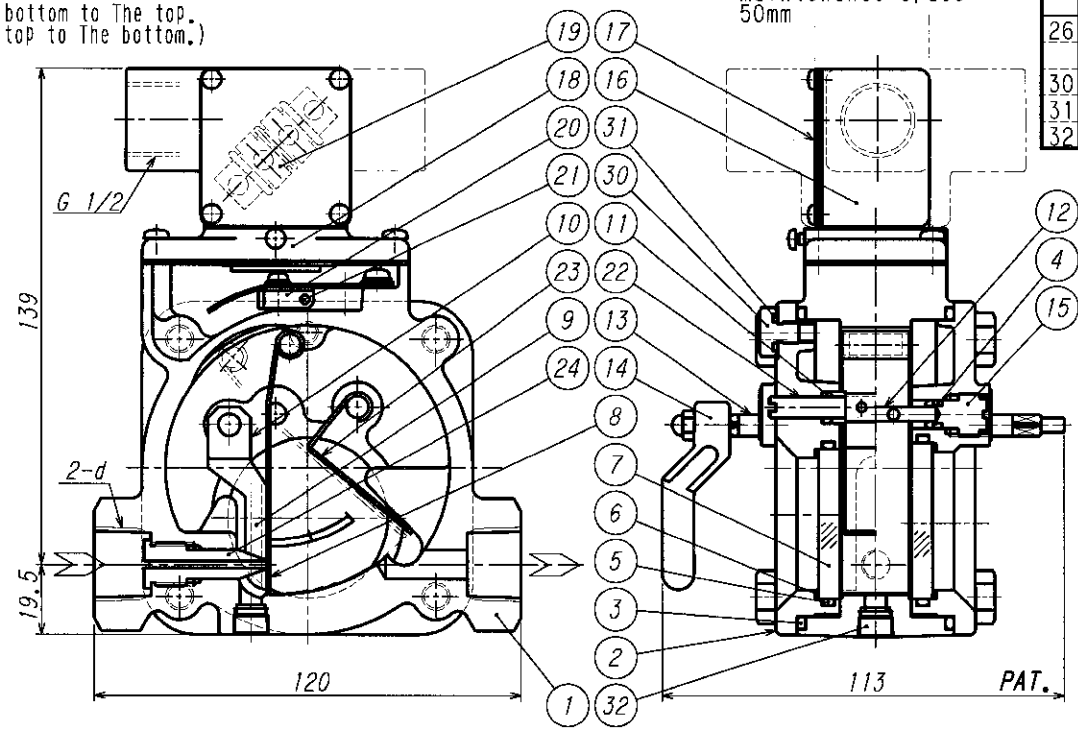
MARK	PARTICULAR	MATERIALS	QUAN	REMARK
1	BODY	CAC406	1	
2	COVER	CAC406	2	
3	O-RING	NBR	2	
4	O-RING	NBR	2	
5	O-RING	NBR	2	
6	CUSHION GASKET	SHEET	2	*
7	SIGHT GLASS	GLASS	2	*1
8	FLAPPER	SUS304	1	*2
9	BRUSH	NBR	2	
10	BRUSH HOLDER	CAC406	1	
11	O-RING	NBR	2	
12	SPINDLE	SUS304	1	
13	BRUSH HANDLE SHAFT	SUS304	1	
14	HANDLE	SCS13	1	
15	PIVOT PIECE	SUS304	2	
16	TERMINAL BOX	AC2A	1	
17	T. BOX COVER	C2801	1	
18	T. BOX SEAT	AC2A	1	
19	TERMINAL	PLASTICS	1	
20	R. SW. CASE	PLASTICS	1	
21	REED SWITCH		1	
22	FLAPPER RETURN SHAFT	SUS304	1	
23	FLAPPER RETURN PLATE	SUS304	1	
24	NOZZLE	SUS304	1	
26	O-RING	NBR	2	
30	PLUG	C3604	2	
31	O-RING	NBR	2	
32	PLAG	SUS304	1	1/8



maintenance space  
50mm

This drawing is shown for flow from the left to the right, but when the cap nut is removed and the handle(14) is installed on the opposite end of the spindle(12), flow from the right to the left will be obtained.  
(The type-U is for flow from the bottom to The top.  
The type-D is for flow from the top to The bottom.)

Straight pipe section  
for guaranteeing accuracy  
--Before and after 3D  
(3times diameter)



第3角法 3RD ANGLE PROJECTION		DIMENSION IN mm	
尺度 SCALE	作成日 DATE	設計圧力 DESIGNED PRESS.	設計温度 DESIGNED TEMP.
NTS		1.0 MPa	80 °C
作成 DRAWN	設計 DESIGNED	確認 CHECKED	承認 APPROVED

TAIYO VALVE MFG. CO., LTD.  
BC-SSHRT  
10~15A FLOW GAGE