

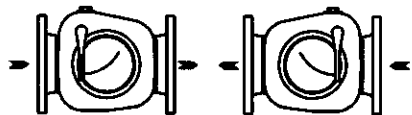
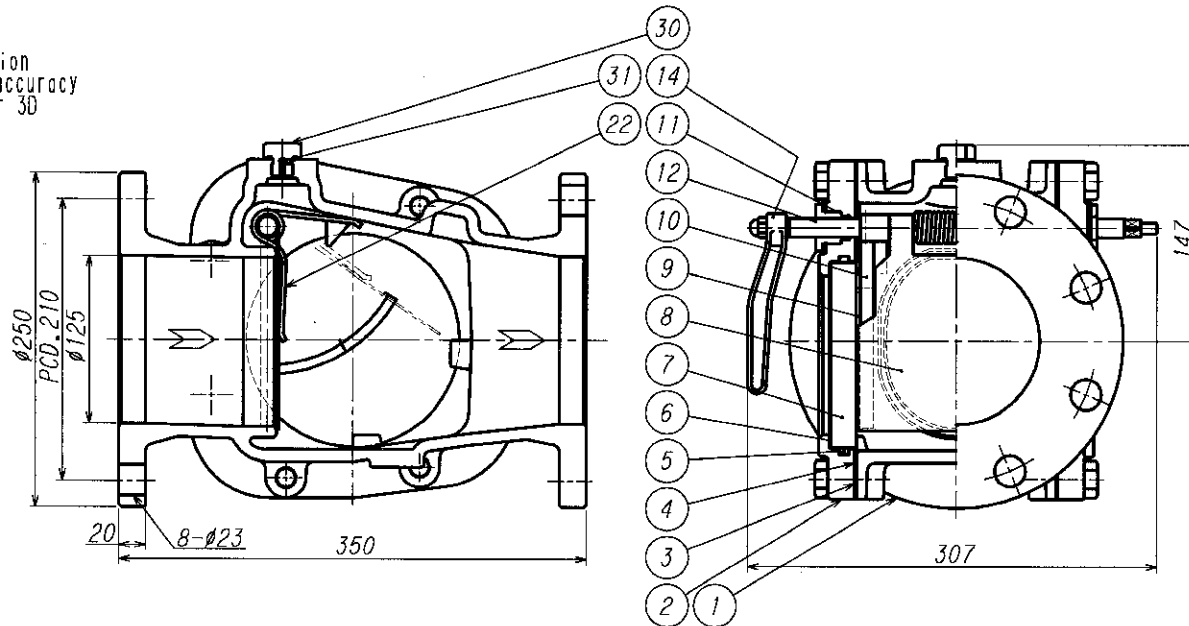
PARTS LIST

MARK	PARTICULAR	MATERIALS	QUAN	REMARK
1	BODY	SCS13	1	
2	COVER	SCS13	2	
3	GASKET	SHEET	2	*
4	O-RING	NBR	2	
5	O-RING	NBR	2	
6	CUSHION GASKET	SHEET	2	*
7	SIGHT GLASS	GLASS	2	*1
8	FLAPPER	SUS304	1	
9	BRUSH	NBR	2	
10	BRUSH HOLDER	SUS304	2	
11	O-RING	NBR	2	
12	SPINDLE	SUS304	1	
13	----			
14	HANDLE	FCD450	1	
22	SPRING	SUS304	1set	
30	PLUG	SUS304	1	
31	O-RING	NBR	1	

\* NON ASBESTOS  
\*1 REINFORCED

This drawing is shown for flow from the left to the right, but when the cap nut is removed and the handle(14) is installed on the opposite end of the spindle(12), flow from the right to the left will be obtained.  
(The type-U is for flow from the bottom to The top.  
The type-D is for flow from the top to The bottom.)

Straight pipe section for guaranteeing accuracy  
••Before and after 3D (3times diameter)



第3角法	3RD ANGLE PROJECTION	DIMENSION IN mm	
尺度	作成日	設計压力	設計温度
SCALE	DATE	DESIGNED PRESS.	DESIGN TEMP.
NTS		1.0 MPa	80 °C
作成	設計	確認	承認
DRAWN	DESIGNED	CHECKED	APPROVED

TAIYO VALVE MFG. CO., LTD.

SU4-F0-P  
125A FLOW GAGE