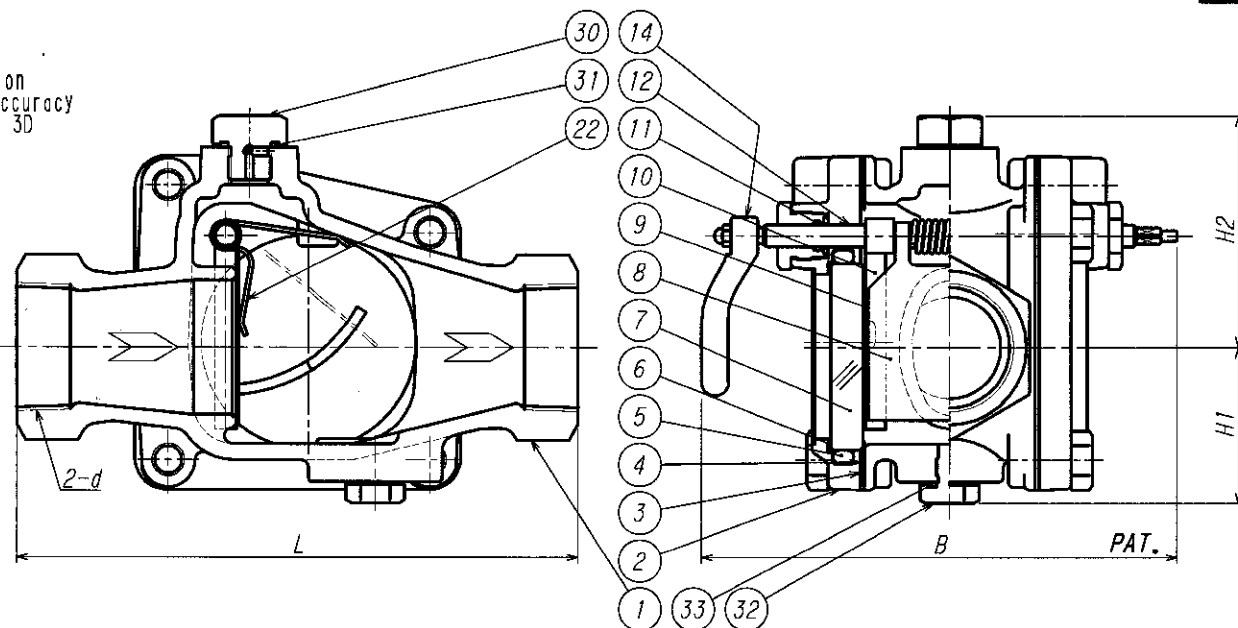


DIMENSIONS							JIS B0203	
SIZE	d	L	B	H1	H2			
15A	1/2 B	Rc 1/2	120	145	38	68		
20A	3/4 B	Rc 3/4	120	145	38	68		
25A	1 B	Rc 1	140	151	42	72		
32A	1 1/4 B	Rc 1 1/4	210	178	58	87		
40A	1 1/2 B	Rc 1 1/2	210	178	58	87		

PARTS LIST				
MARK	PARTICULAR	MATERIALS	QUAN.	REMARK
1	BODY	FCD450	1	
2	COVER	FCD450	2	
3	GASKET	SHEET	2	*
4	O-RING	NBR	2	
5	O-RING	NBR	2	
6	CUSHION GASKET	SHEET	2	*
7	SIGHT GLASS	GLASS	2	*1
8	FLAPPER	SUS304	1	
9	BRUSH	NBR	2	
10	BRUSH HOLDER	SUS304	2	
11	O-RING	NBR	2	
12	SPINDLE	SUS304	1	
13				
14	HANDLE	SCS13	1	
22	SPRING	SUS304	1 set	
30	PLUG	C3604	1	
31	O-RING	NBR	1	
32	DRAIN PLUG	C3604	1	
33	O-RING	NBR	1	

This drawing is shown for flow from the left to the right, but when the cap nut is removed and the handle(14) is installed on the opposite end of the spindle(12), flow from the right to the left will be obtained.

Straight pipe section  
for guaranteeing accuracy  
\*\*Before and after 3D  
(3 times diameter)



\* NON ASBESTOS  
\*1 REINFORCED

第3角法		3RD ANGLE PROJECTION		DIMENSION	
尺 度	作 成 日	設 計 圧 力	設 計 温 度	IN	
SCALE	DATE	DESIGNED PRESS.	DESIGNED TEMP.		
NTS		1.0 MPa	80 °C		
作 成	設 計	確 認	承 認		
DRAWN	DESIGNED	CHECKED	APPROVED		

TAIYO VALVE MFG. CO., LTD.

FCD-SO-REM  
15~40A FLOW GAGE

