

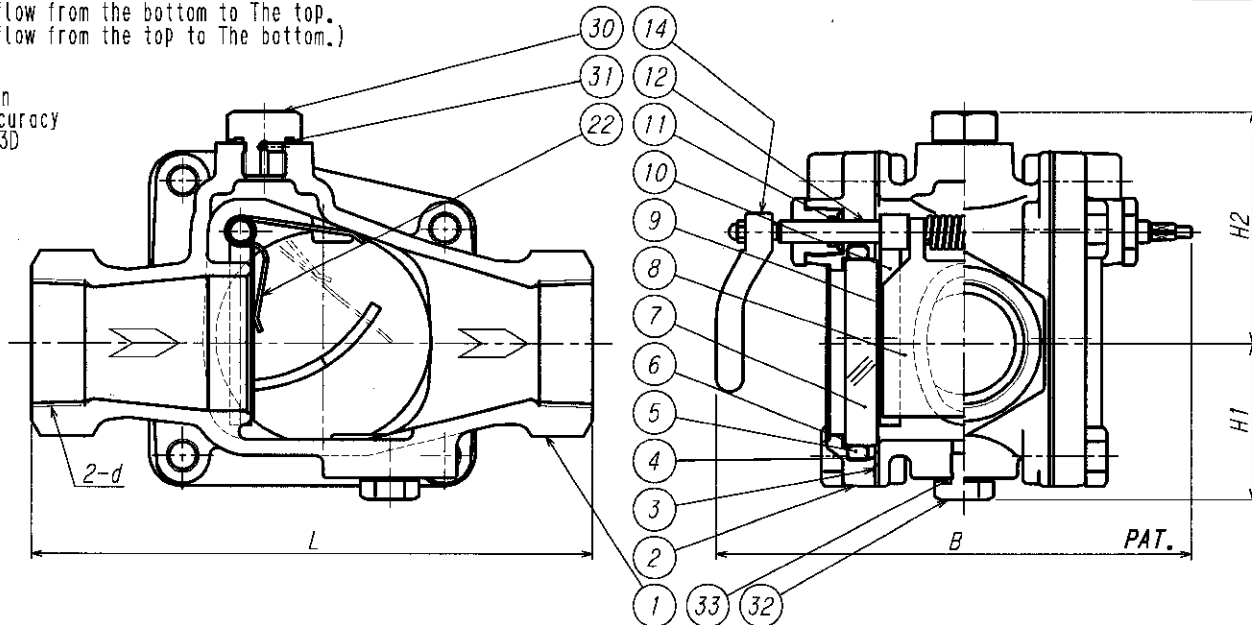
DIMENSIONS							JIS B0203	
SIZE	d	L	B	H1	H2			
15A	1/2 B Rc 1/2	120	145	38	68			
20A	3/4 B Rc 3/4	120	145	38	68			
25A	1 B Rc 1	140	151	42	72			
32A	1 1/4 B Rc 1 1/4	210	178	58	87			
40A	1 1/2 B Rc 1 1/2	210	178	58	87			

PARTS LIST				
MARK	PARTICULAR	MATERIALS	QUAN.	REMARK
1	BODY	FCD450	1	
2	COVER	FCD450	2	
3	GASKET	SHEET	2	*
4	O-RING	NBR	2	
5	O-RING	NBR	2	
6	CUSHION GASKET	SHEET	2	*
7	SIGHT GLASS	GLASS	2	*1
8	FLAPPER	SUS304	1	
9	BRUSH	NBR	2	
10	BRUSH HOLDER	SUS304	2	
11	O-RING	NBR	2	
12	SPINDLE	SUS304	1	
13				
14	HANDLE	SCS13	1	
22	SPRING	SUS304	1set	
30	PLUG	C3604	1	
31	O-RING	NBR	1	
32	DRAIN PLUG	C3604	1	
33	O-RING	NBR	1	

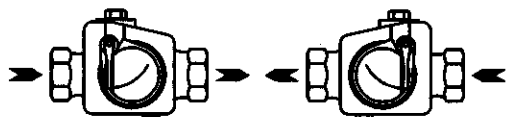
This drawing is shown for flow from the left to the right, but when the cap nut is removed and the handle(14) is installed on the opposite end of the spindle(12), flow from the right to the left will be obtained.

(The type-U is for flow from the bottom to The top.
The type-D is for flow from the top to The bottom.)

Straight pipe section
for guaranteeing accuracy
••Before and after 3D
(3times diameter)



* NON ASBESTOS
*1 REINFORCED



第3角法 3RD ANGLE PROJECTION		DIMENSION IN mm	
尺度 SCALE	作成日 DATE	設計圧力 DESIGNED PRESS.	設計温度 DESIGNED TEMP.
NTS		1.0 MPa	80 °C
作成 DRAWN	設計 DESIGNED	確認 CHECKED	承認 APPROVED

TAIYO VALVE MFG. CO., LTD.

FCD-SO-P
15~40A FLOW GAGE