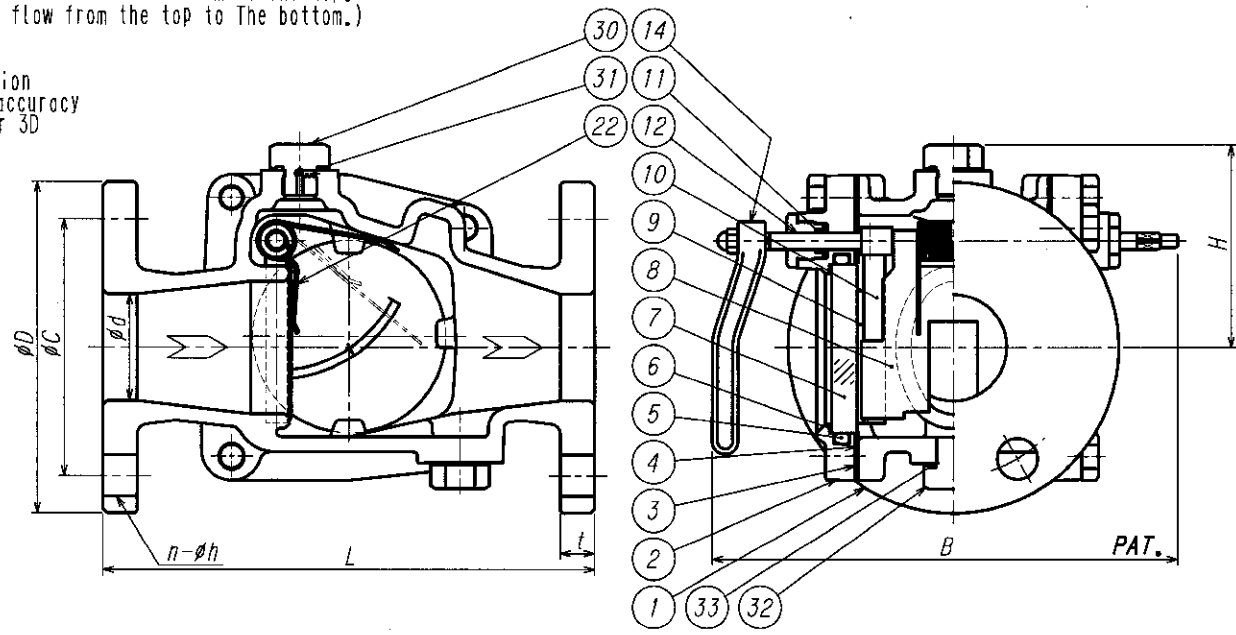


DIMENSIONS											JIS B2239 10K FF	
SIZE	d	L	B	H	D	C	t	h	n			
15A	1/2 B	20	156	145	68	95	70	12	15	4		
20A	3/4 B	20	160	145	68	100	75	14	15	4		
25A	1 B	25	190	151	72	125	90	14	19	4		
32A	1 1/4 B	38	210	178	87	135	100	16	19	4		
40A	1 1/2 B	38	210	178	87	140	105	16	19	4		
50A	2 B	50	230	218	95	155	120	16	19	4		
65A	2 1/2 B	65	280	238	107	175	140	18	19	4		
80A	3 B	80	310	258	120	185	150	18	19	8		
100A	4 B	100	340	298	131	210	175	18	19	8		
125A	5 B	125	360	323	143	250	210	20	23	8		

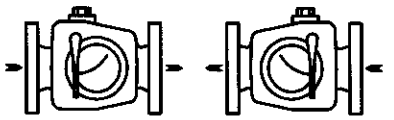
PARTSLIST				
MARK	PARTICULAR	MATERIALS	QUAN.	REMARK
1	BODY	FCD450	1	
2	COVER	FCD450	2	
3	GASKET	SHEET	2	*
4	O-RING	NBR	2	
5	O-RING	NBR	2	
6	CUSHION GASKET	SHEET	2	*
7	SIGHTGLASS	GLASS	2	REINFORCED
8	FLAPPER	SUS304	1	
9	BRUSH	NBR	2	
10	BRUSH HOLDER	SUS304	2	
11	O-RING	NBR	2	
12	SPINDLE	SUS304	1	
13				
14	HANDLE	SCS13*FCD450	1	
22	SPRING	SUS304	1set	
30	PLUG	C3604	1	
31	O-RING	NBR	1	
32	DRAIN PLUG	C3604	1	
33	O-RING	NBR	1	

This drawing is shown for flow from the left to the right, but when the cap nut is removed and the handle(14) is installed on the opposite end of the spindle(12), flow from the right to the left will be obtained.  
 (The type-U is for flow from the bottom to The top.  
 The type-D is for flow from the top to The bottom.)

Straight pipe section for guaranteeing accuracy  
 --Before and after 3D (3times diameter)



\* NON ASBESTOS



第3角法 3RD ANGLE PROJECTION		DIMENSION IN mm	
尺度 SCALE	作成日 DATE	設計圧力 DESIGNED PRESS.	設計温度 DESIGNED TEMP.
NTS		1.0 MPa	80 °C
作成 DRAWN	設計 DESIGNED	確認 CHECKED	承認 APPROVED

TAIYO VALVE MFG. CO., LTD.  
**FCD-FO-REM**  
**15~125A FLOW GAGE**