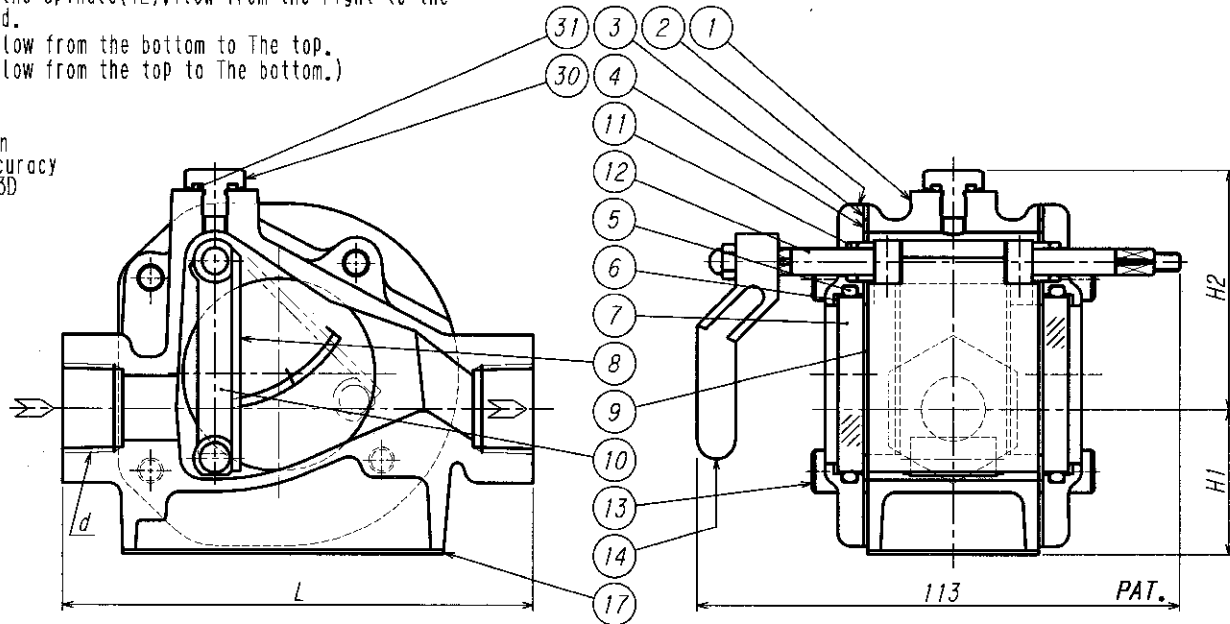


DIMENSIONS		JIS B0203			
SIZE	d	L	H1	H2	
10A: 1/8 B	Rc 1/8	110	34	56	
15A: 1/4 B	Rc 1/4	110	34	56	
20A: 3/8 B	Rc 3/8	125	37	59	
25A: 1/2 B	Rc 1/2	140	37	59	

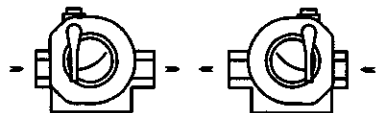
PARTS LIST				
MARK	PARTICULAR	MATERIALS	QUAN.	REMARK
1	BODY	CAC406	1	
2	COVER	CAC406	2	
3	GASKET	SHEET	2	*
4	O-RING	NBR	2	
5	O-RING	NBR	2	
6	CUSHION GASKET	SHEET	2	*
7	SIGHT GLASS	GLASS	2	*1
8	FLAPPER	PVC*SUS304*PP	1	P, A type
9	BRUSH	NBR	2	
10	BRUSH HOLDER	SUS304	2	
11	O-RING	NBR	2	
12	SPINDLE	SUS304	1	
13	CAP BOLT	SUS304	8	
14	HANDLE	SCS13	1	
17	COVER	C2801	1	
30	PLUG	SUS304	1	
31	O-RING	NBR	1	

This drawing is shown for flow from the left to the right, but when the cap nut is removed and the handle(14) is installed on the opposite end of the spindle(12), flow from the right to the left will be obtained.
 (The type-U is for flow from the bottom to The top.
 The type-D is for flow from the top to The bottom.)

Straight pipe section for guaranteeing accuracy
 --Before and after 3D
 (3times diameter)



* NON ASBESTOS
 *1 REINFORCED



第3角法 3RD ANGLE PROJECTION		DIMENSION IN mm	
尺度 SCALE	作成日 DATE	設計圧力 DESIGNED PRESS.	設計温度 DESIGNED TEMP.
NTS		1.0 MPa	60 °C
作成 DRAWN	設計 DESIGNED	確認 CHECKED	承認 APPROVED

TAIYO VALVE MFG. CO., LTD.

BC-SHB
 10~25A FLOW GAGE